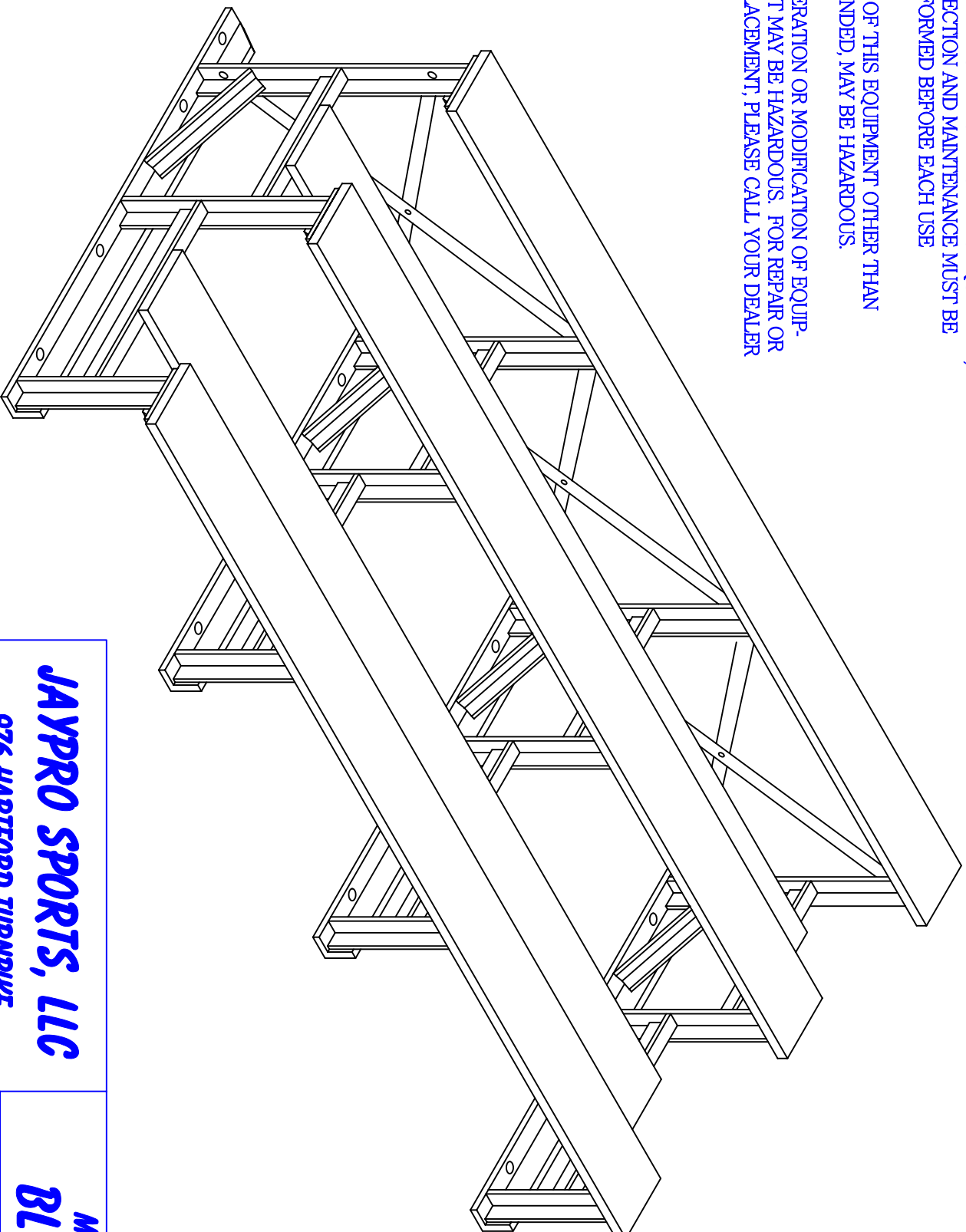


PLEASE NOTE:

- 1) FOR SAFE OPERATION AND CONTINUED HIGH PERFORMANCE FROM THIS EQUIPMENT, INSPECTION AND MAINTENANCE MUST BE PERFORMED BEFORE EACH USE
- 2) USE OF THIS EQUIPMENT OTHER THAN INTENDED, MAY BE HAZARDOUS.
- 3) ALTERATION OR MODIFICATION OF EQUIPMENT MAY BE HAZARDOUS. FOR REPAIR OR REPLACEMENT, PLEASE CALL YOUR DEALER



JAYPRO SPORTS, LLC

976 HARTFORD TURNPIKE

WATERFORD, CT 06385 USA

(800)243-0533

(800)988-3363 FAX

WWW.JAYPRO.COM

MODEL NO.:

BLGH-321

PRODUCT NAME:

3-ROW BLEACHER

DRAWN BY: JAC

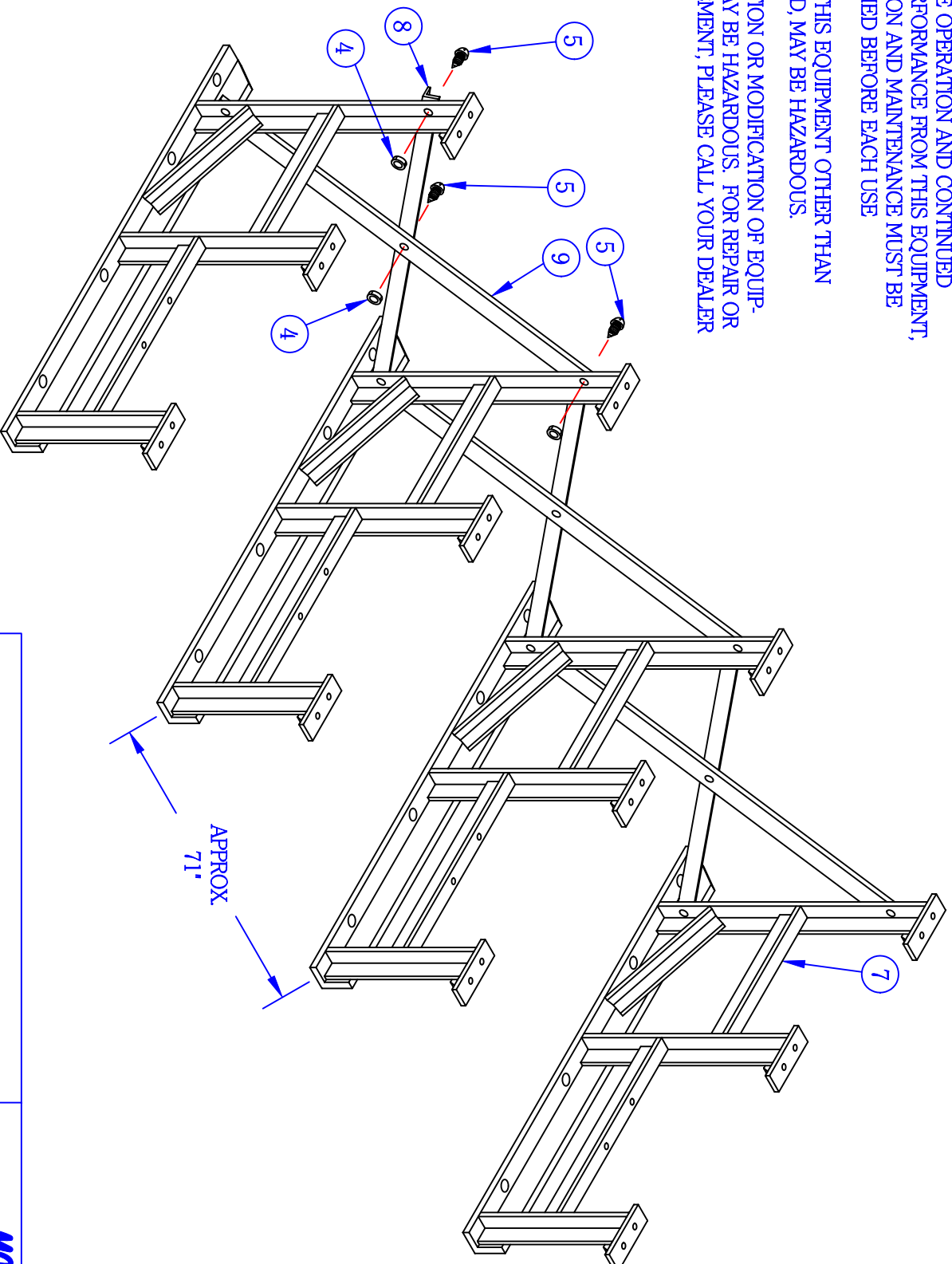
EFFECTIVE DATE:

4-3-03

ALWAYS POSITION BLEACHERS ON FIRM AND LEVEL SURFACE. CHECK LOCAL OR STATE CODES FOR APPLICABILITY AND RESTRICTIONS.

PLEASE NOTE:

- 1) FOR SAFE OPERATION AND CONTINUED HIGH PERFORMANCE FROM THIS EQUIPMENT, INSPECTION AND MAINTENANCE MUST BE PERFORMED BEFORE EACH USE
- 2) USE OF THIS EQUIPMENT OTHER THAN INTENDED, MAY BE HAZARDOUS.
- 3) ALTERATION OR MODIFICATION OF EQUIPMENT MAY BE HAZARDOUS. FOR REPAIR OR REPLACEMENT, PLEASE CALL YOUR DEALER



FASTEN HARDWARE FOR CROSSBRACES LOOSELY. TIGHTEN FULLY ONLY AFTER BLEACHER PLANKS ARE IN POSITION AND THE FRAME HAS BEEN CENTERED AND SQUARED.

JAYPRO SPORTS, LLC

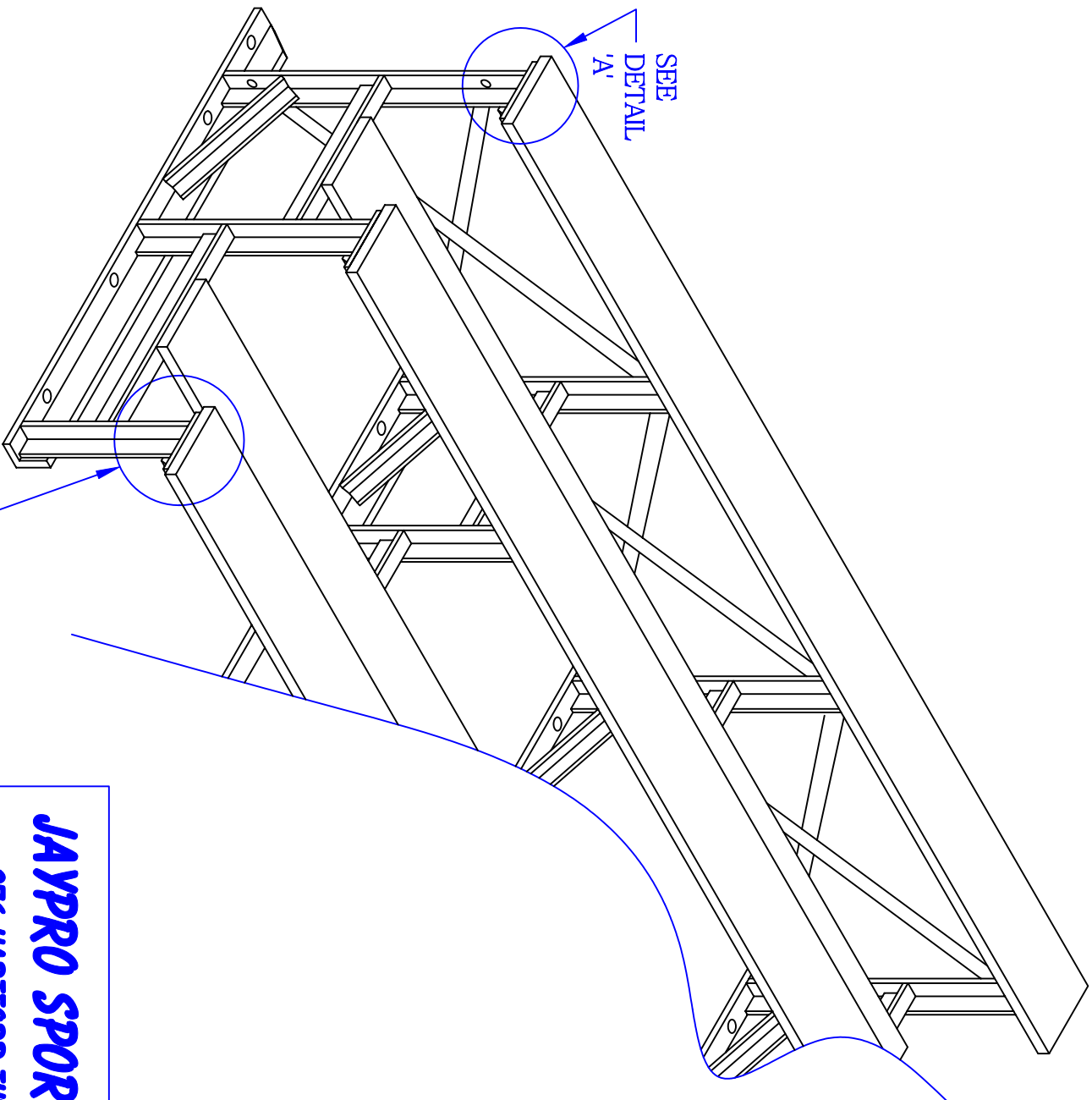
976 HARTFORD TURNPIKE
WATERFORD, CT 06385 USA
(800)243-0533
(800)988-3363 FAX
WWW.JAYPRO.COM

MODEL NO.:
BLCH-321

PRODUCT NAME:
FRAME ASSEMBLY
3-ROW BLEACHER

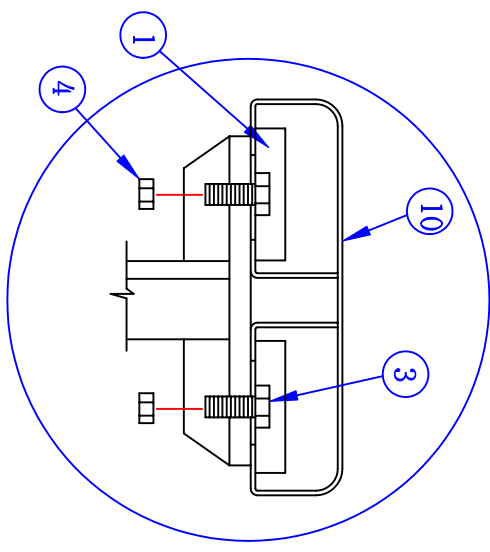
DRAWN BY: JAC

EFFECTIVE DATE:
4-3-03

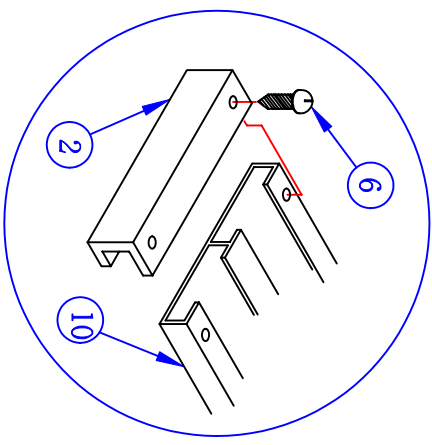


SEE
DETAIL
'A'

SEE DETAIL 'B'
FOR END CAP
INSTALLATION



DETAIL 'A'



DETAIL 'B'

JAYPRO SPORTS, LLC

976 HARTFORD TURNPIKE
WATERFORD, CT 06385 USA

(800)243-0533

(800)988-3363 FAX

WWW.JAYPRO.COM

MODEL NO.:
BLCH-321

PRODUCT NAME:
PLANK ASSEMBLY
3-ROW BLEACHER

DRAWN BY: JAC

EFFECTIVE DATE:
4-3-03

JAYPRO SPORTS
3-ROW BENCHER 21', BLCH-321
LIST OF MATERIALS

<u>PIECE NO.</u>	<u>PART NO.</u>	<u>DESCRIPTION</u>	<u>QTY.</u>
1	AR5044	BOLT CLIP WITH SLOTS	40
2	AR5045	END CAP 9 ½ FOR ALUM SEATS	10
3	HB196	CARRIAGE BOLT GLV 5/16"-18 x 1 ¼"	40
4	HN5046	5/16" FLANGE NUT	51
5	HS2650	HEX HEAD SCREW ZP 5/16"-18 x 1"	11
6	HS5035	#8 PAN HEAD SCREW x ½"	20
7	BLCH-3L	LEG FRAME	4
8	BLCH31	ANGLE CROSS BRACE	3
9	BLCH32	FLAT CROSS BRACE	3
10	AR5052	ALUMINUM PLANK x 21'	5

ASSEMBLY INSTRUCTIONS

TOOLS REQUIRED: 2 EA ½" OPEN END WRENCH OR SOCKET
1 EA PHILLIPS SCREWDRIVER OR ELECTRIC DRIVER
WITH PHILLIPS BIT

- 1) Unwrap all components and identify the parts and fasteners per the list of materials. Slip the end caps (2) onto the end of each plank. Fasten in place with two self-drilling pan head screws #8 x ½" (6) as shown in detail 'B'. Complete for all planks.
- 2) Place the four leg frames (7) in an upright position approximately 71" apart. Assemble the three flat cross braces (9) to the leg frames (7) using hex head screws 5/16"-18 x 1" (5) and 5/16" flange nuts (4) as shown in the illustration. Do not fully tighten hardware.
- 3) Assemble the three angle cross braces (8) to the leg frames (7) using hex head screws 5/16"-18 x 1" (5) and 5/16" flange nuts (4). Do not fully tighten hardware.
- 4) Position the five 21' planks (10) onto the assembled frame. Center planks equidistant from each end. Loosely assemble planks using bolt clips (1), carriage bolts 5/16"-18 x 1 ¼" (3), and 5/16" flange nuts (4) as shown in detail 'A'. Square the frame, center the planks, then, tighten the plank hardware securely. Finally, tighten the crossbrace hardware securely.

IMPORTANT

IT IS THE RESPONSIBILITY OF THE BUYER TO DETERMINE THE
SUITABILITY OF THESE BLEACHERS FOR THE APPLICATION AND TO
DETERMINE COMPLIANCE WITH ALL STATE AND LOCAL CODES.