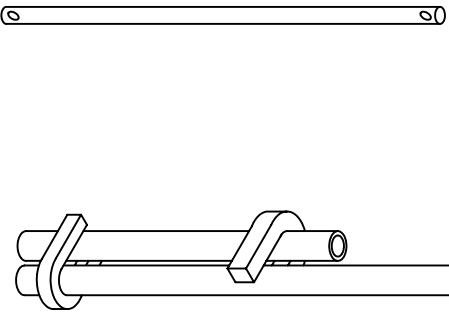
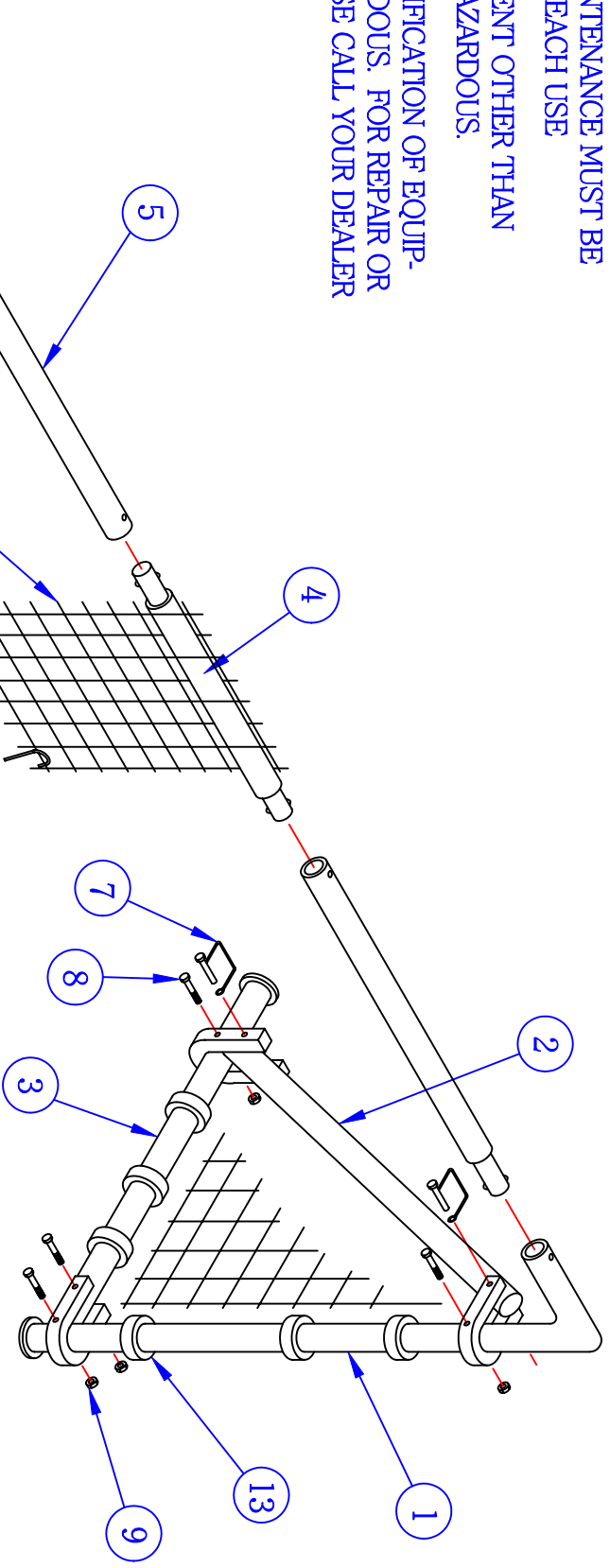


PLEASE NOTE:

- 1) FOR SAFE OPERATION AND CONTINUED HIGH PERFORMANCE FROM THIS EQUIPMENT, INSPECTION AND MAINTENANCE MUST BE PERFORMED BEFORE EACH USE
- 2) USE OF THIS EQUIPMENT OTHER THAN INTENDED, MAY BE HAZARDOUS.
- 3) ALTERATION OR MODIFICATION OF EQUIPMENT MAY BE HAZARDOUS. FOR REPAIR OR REPLACEMENT, PLEASE CALL YOUR DEALER



# JAYPRO SPORTS

976 HARTFORD TURNPIKE  
WATERFORD, CT 06385 USA  
(800)243-0533  
(800)988-3363 FAX  
WWW.JAYPRO.COM

MODEL NO.:  
SEYL-824AL/SEYL-24/SEYL-824

PRODUCT NAME:  
YOUTH SOCCER LEAGUE  
EXPAND-O GOAL

DRAWN BY: JAC  
EFFECTIVE DATE:  
5-23-03

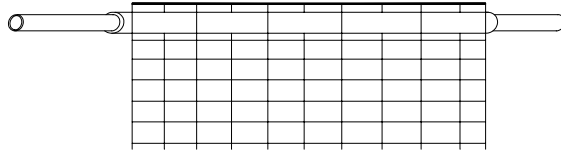
**JAYPRO SPORTS**  
**YOUTH SOCCER LEAGUE EXPAND-O GOAL**  
**SEYL-824AL/ SEYL-24/ SEYL-824**  
**LIST OF MATERIALS**

<u>PIECE NO.</u>	(SEYL-824AL) <u>PART NO.</u>	(SEYL-24/ 824) <u>PART NO.</u>	<u>DESCRIPTION</u>	<u>QTY.</u>
1	SEYL241AL	SEYL241	VERTICAL UPRIGHT	4
2	SEYL244AL	SEYL244	BACKSTAY	4
3	SEYL245AL	SEYL245	BACKSTAY CONNECTOR	4
4	SEYL242AL	SEYL242	CENTER CROSSBAR	2
5	SEYL243AL	SEYL243	SIDE CROSSBAR	4
6	SEYL246	SEYL246	HINGE FITTING	12
7	HM233	HM233	QUICK DISCONNECT PIN	8
8	HS283	HS283	5/16"-18 x 3" HEX HEAD BOLT	16
9	HN261	HN261	5/16"-18 LOCK NUT	16
11	HM4104	HM4104	NET STAKE	20
12	-	SEYL-24NHP	NET (SEYL-24 ONLY)	2
13	FG5143	FG5143	NET TIES	24

# JAYPRO SPORTS

ASSEMBLE END SECTIONS AS PER ENCLOSED PARTS LIST AND DIAGRAM. AFTER THIS INITIAL ASSEMBLY HAS BEEN COMPLETED, REFER TO THE INSTRUCTIONS BELOW.

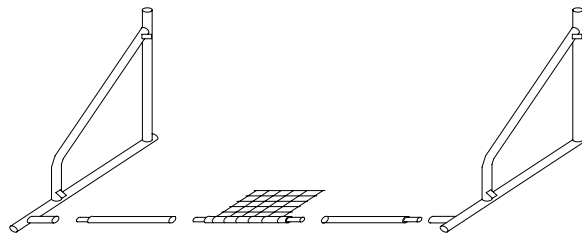
- 1) AFTER SELECTING THE AREA AT WHICH YOU WISH TO SET UP THE GOAL, LAY ALL SECTIONS OUT IN ASSEMBLY ORDER AS PICTURED ON THE PARTS LIST DIAGRAM. OPEN UPRIGHT ASSEMBLIES FROM THEIR FOLDED POSITION.
- 2) THREAD TOP OF NET THROUGH CENTER CROSSBAR SECTION.
- 3) ASSEMBLE CROSSBAR SECTIONS TOGETHER TO MAKE ONE BAR. INSERT ENDS INTO EXTENSION OF UPRIGHT ASSEMBLIES.



- 4) WITH ONE PERSON ON EITHER END OF GOAL, CAREFULLY LIFT THE GOAL (LIFTING FROM THE CORNER OF THE UPRIGHT AND CROSSBAR JOINT) UNTIL IT IS SELF-STANDING. INSPECT TO ENSURE THAT UPRIGHTS ARE PERPENDICULAR TO GROUND LEVEL AND THE GOAL IS LEVEL ON THE GROUND SURFACE.
- 5) PULL NETTING FROM CENTER TOWARD BOTH ENDS. DRAW THE NET AROUND THE BACKSTAYS AND TUCK BOTTOM FRONT MESH OF THE NET UNDER THE UPRIGHT'S RUBBER FEET.
- 6) USING THE INSTA-STIK NET TIES PROVIDED, SECURE THE NETTING TO FRONT UPRIGHTS. THREE NET TIES ARE REQUIRED FOR EACH UPRIGHT.
- 7) USING GROUND STAKES PROVIDED, STAKE OUT THE BODY OF THE NET.

TO DISASSEMBLE THE GOAL, SIMPLY REVERSE THE ABOVE STEPS. HOWEVER, IT IS NOT NECESSARY TO UNTHREAD THE NETTING FROM THE CENTER CROSSBAR. GATHER THE NETTING ON THE CENTER CROSSBAR, LAY THE GOAL DOWN AND REMOVE THE OUTER CROSSBARS. FOLD THE NET AND ROLL THE CROSSBAR AND NET TOGETHER. THEN USE THE INSTA-STIK NET TIES TO SECURE THE ENTIRE BUNDLE.

FOLD THE BACKSTAYS AGAINST THE UPRIGHTS AND LOCK IN POSITION BY PLACING THE QUICK DISCONNECT PIN INTO THE HOLE PROVIDED.



## FEATURES OF THE YOUTH SOCCER LEAGUE EXPAND-O GOAL

THE DESIGN OF THIS GOAL IS SUCH THAT AN 8', 16', OR 24' WIDTH CAN BE ACHIEVED. THE 8' WIDTH IS OBTAINED BY USING THE 6' CENTER BAR ONLY. THE 16' WIDTH IS OBTAINED BY USING THE 6' CENTER BAR WITH ONE OF THE 8' END CROSSBARS. FOLLOW THE SAME ASSEMBLY INSTRUCTIONS FOR ALL WIDTHS, DRAWING UP ANY EXCESS NETTING AND TYING OFF TO THE UPRIGHT ASSEMBLIES.

## CAUTIONARY INFORMATION

AS WITH ALL JAYPRO PRODUCTS, THIS SOCCER GOAL IS DESIGNED TO LAST THROUGH THE YEARS OF USE AND ENJOYMENT. HOWEVER, THE FOLLOWING GUIDELINES AND SAFETY TIPS ARE IMPORTANT FACTORS TO BE CONSIDERED WHEN USING THIS EQUIPMENT.

- 1) DO NOT HANG FROM THE CROSSBAR. THIS IS DANGEROUS AND THE ADDED WEIGHT WILL DAMAGE YOUR EQUIPMENT.
- 2) PERIODICALLY INSPECT YOUR UNIT FOR MISSING PARTS, LOOSE FASTENERS OR OTHER SIGNS OF NEGLECT. FOR CONTINUED SAFE USE AND HIGH PERFORMANCE, THESE SITUATIONS MUST BE IMMEDIATELY CORRECTED.

## INDOOR USE

WHEN THE GOAL IS TO BE USED INDOORS, THE FOLLOWING MODIFICATION TO THE ABOVE ASSEMBLY INSTRUCTIONS IS REQUIRED: FOLLOW STEPS 1 THRU 6 AS STATED. THEN, EITHER FOLD EXCESS NETTING AND TUCK UNDER THE REAR LEGS OR USE SAND BAGS TO HOLD THE NETTING IN PLACE.